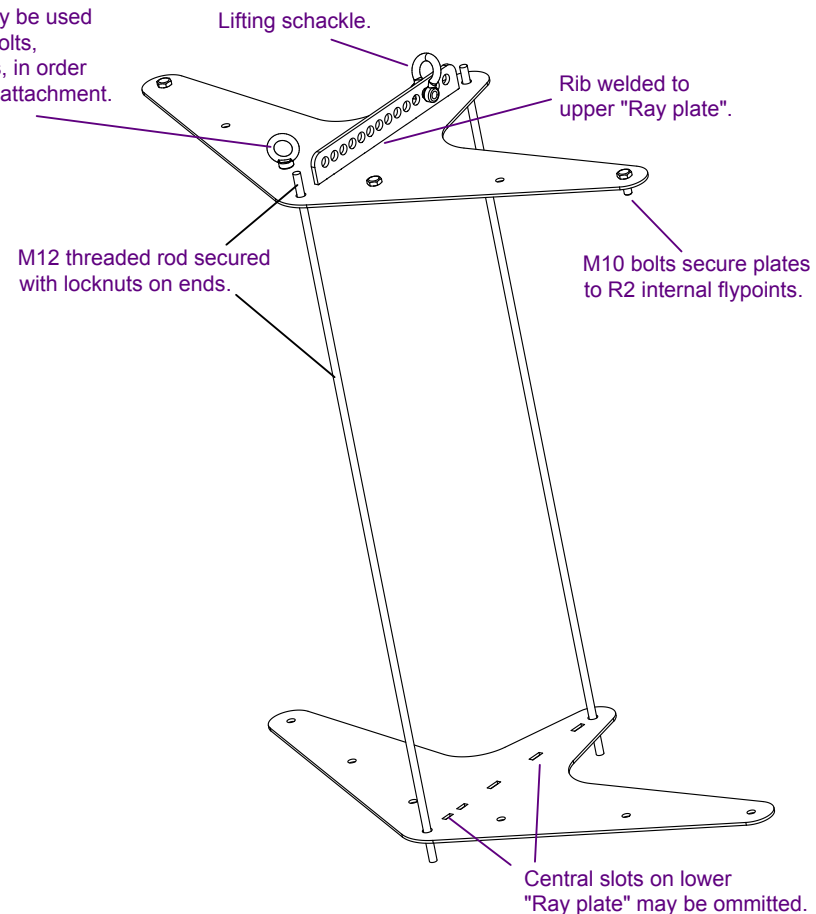


Completed assembly (not all fixings shown).

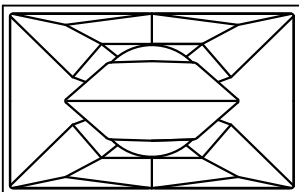
M10 eyebolts may be used instead of plain bolts, in some positions, in order to provide safety attachment.



Assembly without speakers (not all fixings shown).

All dimensions in mm and inches

Copyright Funktion-One Research Ltd



FUNKTION-ONE

Hoyle, Horsham Road, Beare Green, Dorking, Surrey, RH5 4PS, England

Phone: +44 (0)1306 712820

Fax: +44 (0)1306 711240

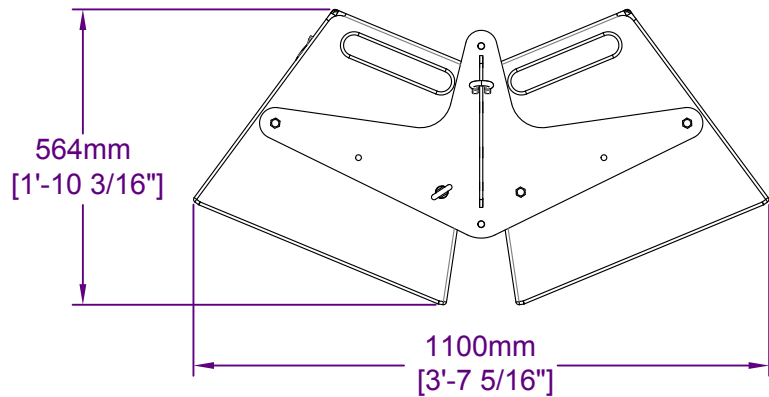


mail@funktion-one.com

www.funktion-one.com

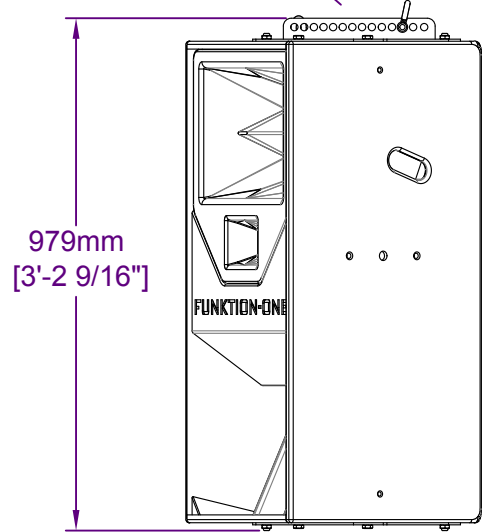
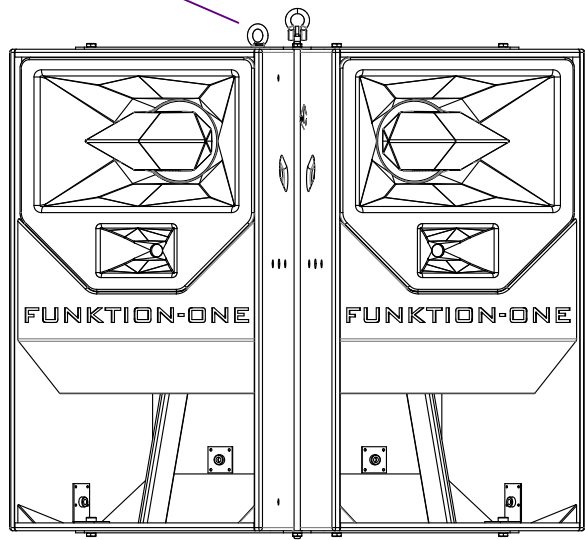
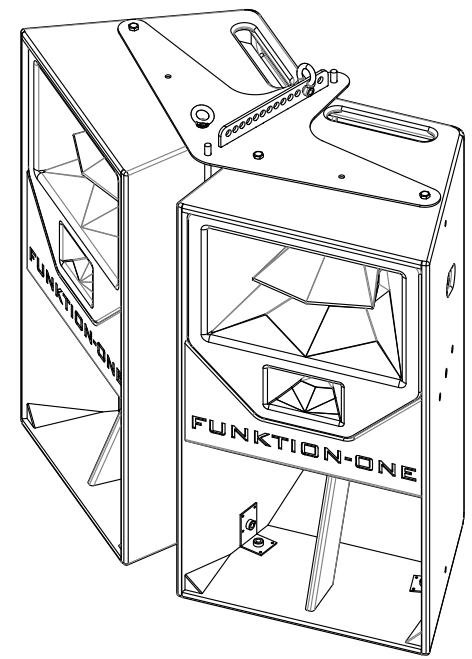
Accessories for: Resolution 2

FP22-K1 - Flyplate Kit to fly two wide R2 with pick-up spine to top (2 plates plus studding) ideal for installs



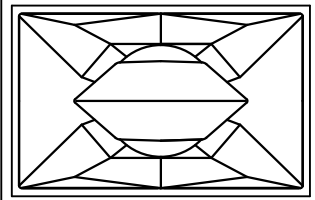
M10 eyebolt one supplied with each set. These are for safety attachment or can be used to stabilise direction. Choice of position.

Choice of hole for main shackle gives natural declination between about 9° up and 21° down. A second shackle can be used to stabilise direction.



All dimensions in mm and inches

Copyright Funktion-One Research Ltd



FUNKTION-ONE

Hoyle, Horsham Road, Beare Green, Dorking, Surrey, RH5 4PS, England

Phone: +44 (0)1306 712820
 Fax: +44 (0)1306 711240



mail@funktion-one.com
 www.funktion-one.com

Accessories for: Resolution 2

FP22-K1 - Flyplate Kit to fly two wide R2 with pick-up spine to top (2 plates plus studding) ideal for installs