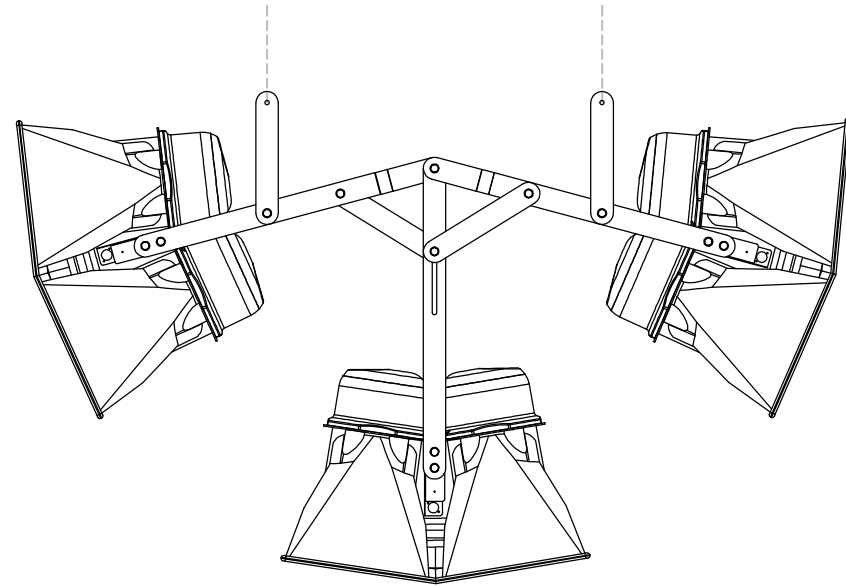


Tight Grouping



Relaxed Grouping

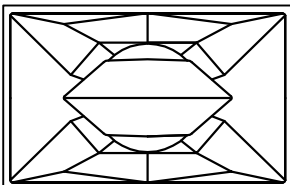
This Pantograph Triple Yoke allows for versatile deployment for three AX88s, keeping the speakers time aligned however they are aimed.

The clever construction allows the user to adjust the aiming with ease when the cluster is hanging in the air.
Allowing for retrospective adjustment at any point during or after installation.

It is ideal for ceiling deployment in small sports arenas, swimming pools and other public areas.

All dimensions in mm and inches

Copyright Funktion-One Research Ltd



FUNKTION-ONE

Hoyle, Horsham Road, Beare Green, Dorking, Surrey, RH5 4PS, England

Phone: +44 (0)1306 712820

Fax: +44 (0)1306 711240



mail@funktion-one.com

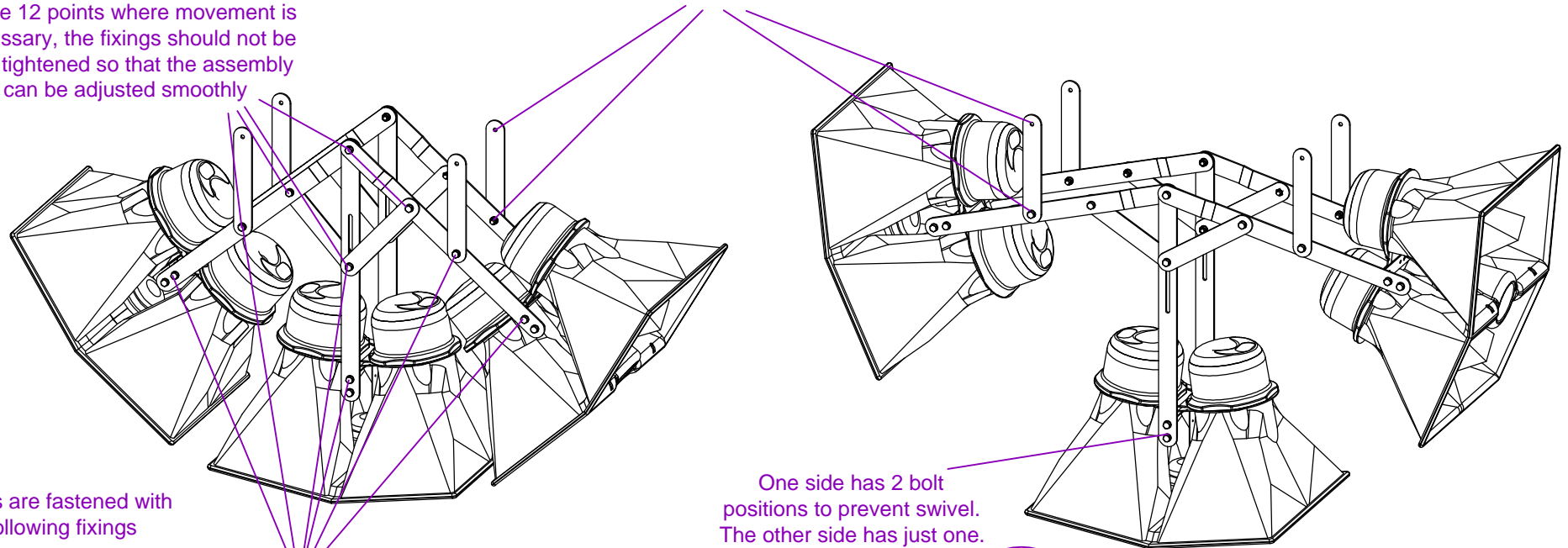
www.funktion-one.com

Accessories for: AX88

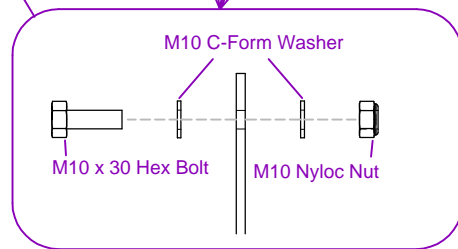
Triple Pantograph Yoke

The Triple Yoke can be hung using 4 drop chains to shackles attaching to the main arms.
 Alternatively, a frame or bar set can be designed to brace the 4 links.
 The Yoke must NOT be hung using a bridle across the two pantagraph sets

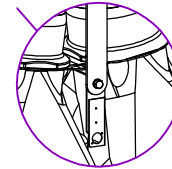
At the 12 points where movement is necessary, the fixings should not be fully tightened so that the assembly can be adjusted smoothly



All points are fastened with the following fixings

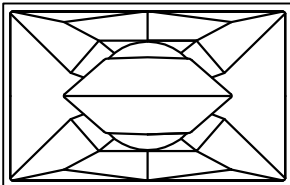


One side has 2 bolt positions to prevent swivel. The other side has just one.



All dimensions in mm and inches

Copyright Funktion-One Research Ltd



FUNKTION-ONE

Hoyle, Horsham Road, Beare Green, Dorking, Surrey, RH5 4PS, England

Phone: +44 (0)1306 712820

Fax: +44 (0)1306 711240



mail@funktion-one.com

www.funktion-one.com

Accessories for: AX88

Triple Pantagraph Yoke